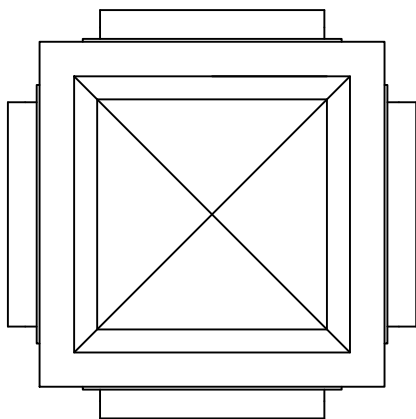
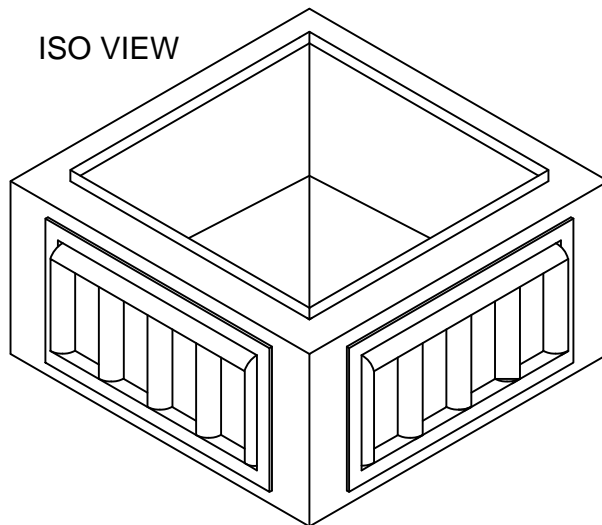


4-WAY DRUM DIFFUSER DROP BOX PRODUCT SUBMITTAL

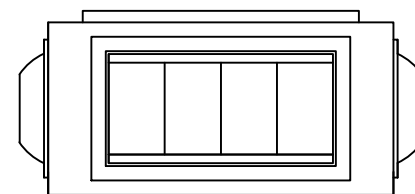
TOP VIEW



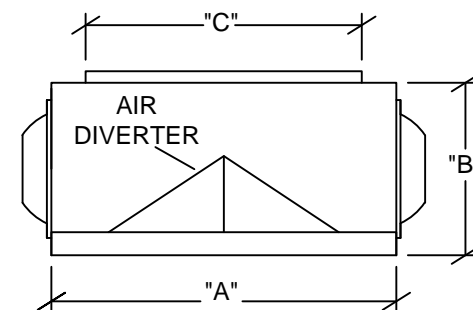
ISO VIEW



SIDE VIEW



MODEL	"A"	"B"	"C"	LOUVER SIZE	CFM RANGE
4WAY-1	30"	11"	21"	6" X 18"	1,400-2,500
4WAY-2	40"	11"	31"	6" X 30"	2,500-4,000
4WAY-3	40"	15"	31"	10" X 30"	4,000-6,000
4WAY-4	40"	17"	31"	12" X 30"	6,000-8,000
4WAY-5	50"	17"	41"	12" X 40"	8,000-10,000



R-8 LINER INSULATION STANDARD ON ALL MODELS
 DIFFUSERS ARE FACTORY PRIMED AND PAINTED (WHITE)
 OPTIONAL OPPOSED BLADE DAMPERS
 ADJUSTABLE HORIZONTAL AND VERTICAL THROW
 DROP BOX PAINTED WHITE UPON REQUEST

EP CUSTOM PRODUCTS, INC. 7822 COMMERCE DRIVE, DENVER, NC 28037
 COPYRIGHT 2010, ALL RIGHTS RESERVED, SUBJECT TO CHANGE WITHOUT NOTICE

704-483-8745 OFFICE
 WWW.EPCUSTOMPRODUCTS.COM