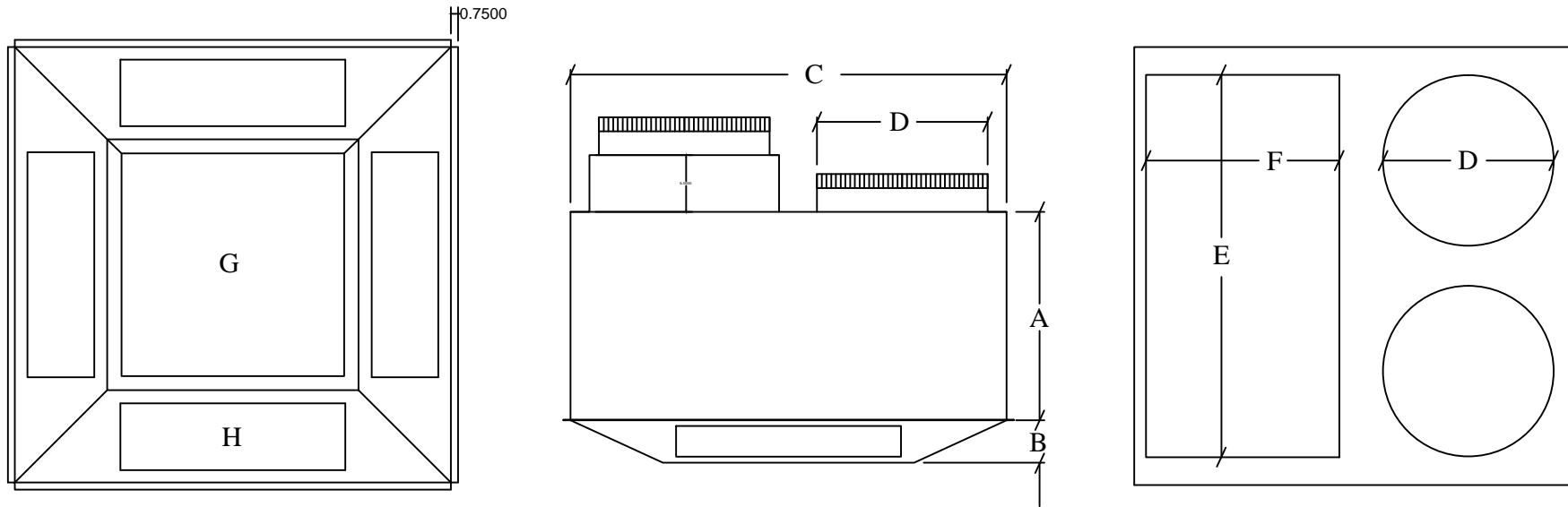


## ANGLED FACE CONCENTRIC DIFFUSER PRODUCT SUBMITTAL



MODEL#	A	B	C	D	E	F	G	H	EST. WEIGHT
AF34X	16.5"	3.5"	34.0"	14" X 4	31.5"	15.0"	18"X18"	18"X5"	100 LBS
AF40X	19.0"	4.0"	40.0"	16" X 4	36.0"	18.0"	22"X22"	22"X6"	120 LBS
AF46X	22.0"	4.5"	46.0"	18" X 4	40.0"	20.0"	26"X26"	26"X8"	150 LBS
AF52X	25.0"	5.0"	52.0"	20" X 4	47.0"	22.0"	30"X30"	30"X8"	180 LBS
AF58X	28.0"	5.5"	58.0"	18" X 6	50.0"	22.0"	34"X34"	34"X10"	220 LBS
AF64X	28.0"	6.0"	64.0"	20" X 6	58.0"	26.0"	38"X38"	38"X10"	250 LBS

Notes: 1: Weights include diffuser, collars, and one smoke detector option.

2: Smoke detector option: 6" high

3: Typical collar height: 4.5"

4: Hard duct flange height: 1"

5: AF34X thru AF52X use four ( 4 ) collars as noted

6: 58" Diffuser uses six ( 6 ) 18" collars

7: 64" Diffuser uses six ( 6 ) 20" collars

8: Openings shown for illustrative purpose only

9: Optional openings available

10: Supply and Return smoke detectors available

**EP CUSTOM PRODUCTS, INC.** 7822 COMMERCE DRIVE, DENVER, NC 28037  
COPYRIGHT 2010, ALL RIGHTS RESERVED, SUBJECT TO CHANGE WITHOUT NOTICE

PATENTS PENDING  
704-483-8745 OFFICE  
WWW.EPCUSTOMPRODUCTS.COM